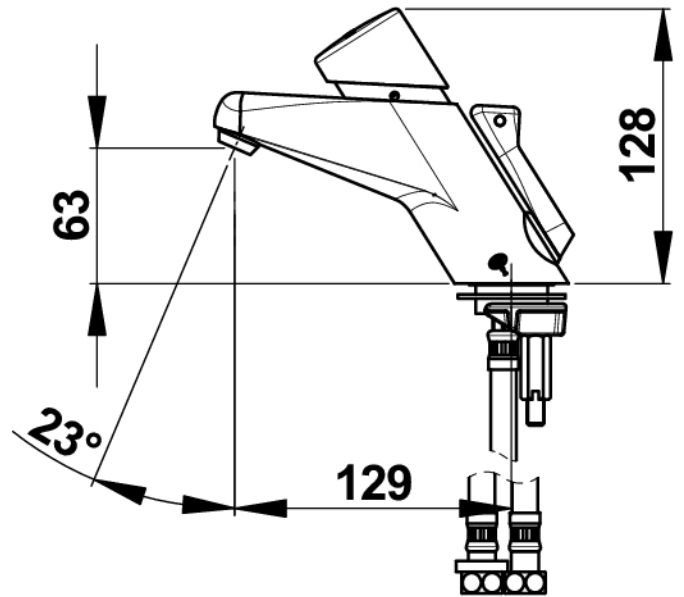


# TECHNICAL DATA SHEET

**PRESTO®**

**Range :** Deck-mounted mixer tap

**Ref :** 20500 - PRESTOMIX 2020



> **Working pressure :**

- 1 to 5 bar

> **Flow :**

- 5 l/min Flow limiter - 5-position flow adjustment device inaccessible to users
- Anti-water-hammering design
- Vandalism proof and anti-clogging spout

> **Flow time :**

- 15 seconds ( ± 5 sec.) - adjustable 4-position

> **Operation :**

- Simple push-button action to activate the water/flow

> **Hydraulic supply :**

- G 3/8" (12x17)

> **Thermal resistance :**

- Resistant to a temperature of 75°C for 30 minute thermal shock

> **Security :**

- Adjustable tamper-proof temperature limiter to prevent scalding

> **Delivered with :**

- 2 G 3/8" stop valves
- 2 Filter gaskets
- 2 PEX hoses with NF check valves and nuts
- Fixing bracket
- 1 Flange gasket
- 1 Brass clamping nut
- Instruction manual

> **Standards & approvals :**

- Acoustic class I
- Brass body in accordance with EN 1982, EN 12164, EN 12165
- Chrome-plated surface treatment in accordance with EN 12540 / 200-hour neutral salt spray resistant (NSS) in accordance with ISO 9227

This document is not contractual. We reserve the right to modify the characteristics of our products without notice in advance. All our brands and models are registered trademarks.

